

SPORTS LIGHTING

SPORTS
LED
LIGHTING
SOLUTIONS

600W
800W
1000W
1200W

Contact us today

sales@salcommercial.net.au



OUR STORY

The foundations of SAL Commercial date back to 1998 with the establishment of Sunny Lighting Australia, a family owned business. The Australian owned and operated business methodically developed a widespread reputation as a trusted brand in the Australian lighting community.

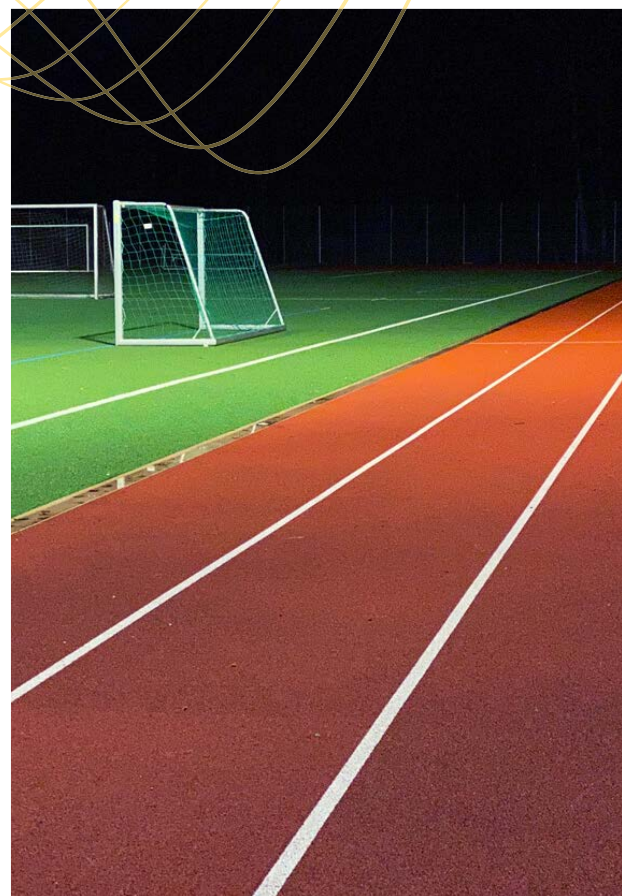
Global market challenges and the dynamic evolution of LED technology catapulted Sunny Lighting Australia to the forefront of the lighting industry, manufacturing and supplying cutting edge solutions for the wholesale channel. Decades on, the 100% Australian owned company now known as SAL National has continued to build on its brand reputation for quality product and exceptional service to be a leader of lighting technologies in the 21st century.

SAL Commercial has established itself as an organisation that understands all aspects of the project lighting market. With a desire to challenge the status quo of the lighting industry and develop class leading products that not only enhance the experience for end users but offer class leading features and performance to those who design, specify and who install our products.

SAL Commercial is proud of our rich history in the Australian lighting landscape and steadfast in the belief that we can help to shape the lighting industry as the world becomes more dynamic and flexible for decades to come.

SAL Commercial has established key partnerships with the worlds leading technology companies, providing the ability to handle projects of all sizes with a focus on delivering best in class results for lighting and quality.

There are many links to the project lighting chain and at SAL Commercial, it is our duty to ensure the end to end solution delivers successful outcomes.



BENEFITS of LED FLOODLIGHTING

1

INSTANT BRIGHTNESS

Utilising LED technology, the warm up period or delay if turned off is non-existent meaning you get 100% of the light you need immediately.

2

LESS MAINTENANCE

With a lifetime rating of up to 178,000 hours, LED sports lighting offers the ultimate in reliability while saving in operational maintenance costs.

3

SUPERIOR LIGHT

Combining precision made optics with the latest in LED technology, modern sports floodlights offer much more quality light where you need it and less where you don't.

4

POWER SAVINGS

Savings of up to 60% can be obtained by converting an existing site to LED. With up to 160 lumens per watt, the efficiency of LED far outweighs older technologies.

OVERVIEW

BARCELONA LED

600W

800W

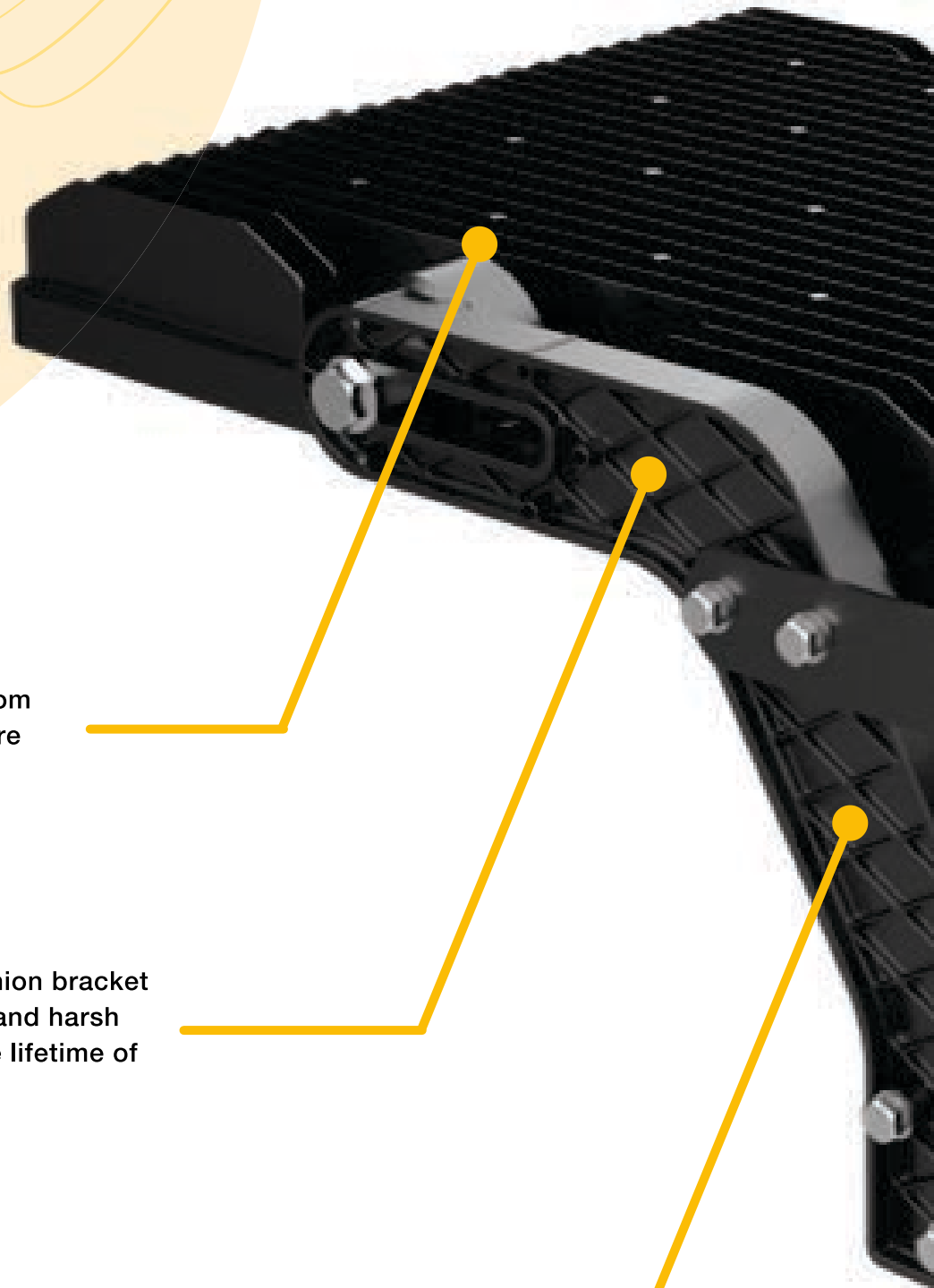
1000W

1200W

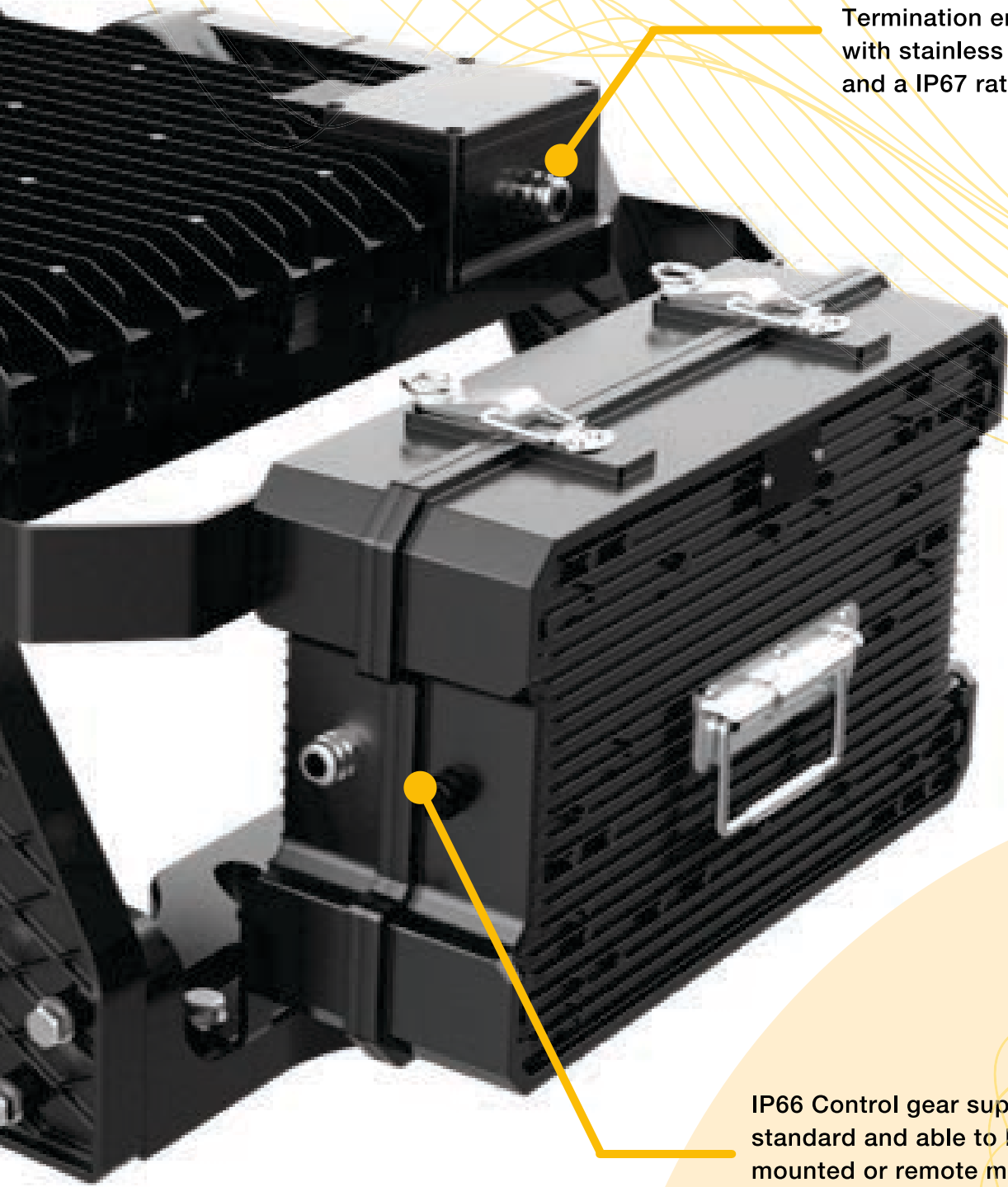
Heatsink constructed from a single piece of pressure die-cast aluminium.

Modular style trunnion bracket designed to withstand harsh conditions over the lifetime of the installation.

Birdproof cable protection is supplied as standard on every product in the Barcelona range.



FLOODLIGHT



Termination enclosure supplied with stainless steel cable glands and a IP67 rating.

IP66 Control gear supplied in DALI as standard and able to be trunnion mounted or remote mounted at a distance of 50m.

BARCELONA LED FLOODLIGHT

Combining the latest in LED technology and precision designed optics, the Barcelona Sports LED Floodlight has been developed and designed for sports applications. Constructed using pressure die-cast aluminium, this highly efficient floodlight allows for both trunnion and remote gear tray mounting arrangements offering flexible installation options.



Twin Module
600W | 800W



Three Module
1000W | 1200W

MANUFACTURER ENDORSED WARRANTY

SAL Commercial offers a 5 year warranty on all products. Confidence behind world class manufacturing processes and procedures ensures that only the highest quality product is supplied.

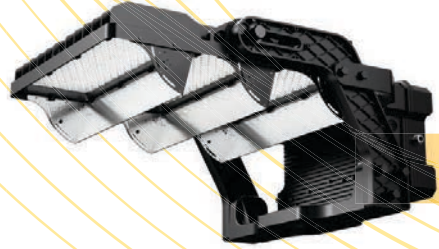


FEATURES

☼ 240V / 415V control gear options



☼ Rear glare shield - adjustable



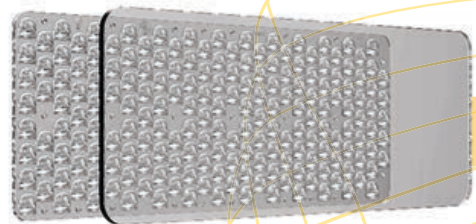
☼ Front visor - adjustable



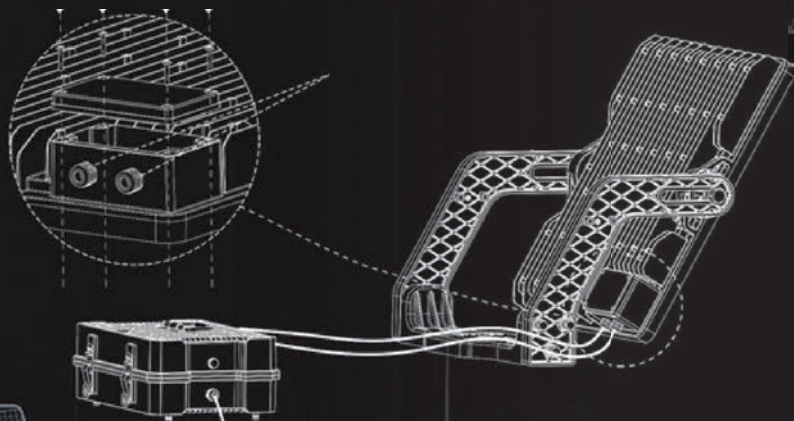
☼ Precision aiming device



☼ Dual layer optic lens protected by 5mm toughened glass.



TECHNICAL LED FLOODLIGHT



Remote mounting available
for control gear

Symmetric Optics



S1 – Narrow
12°



S2 – Medium
30°

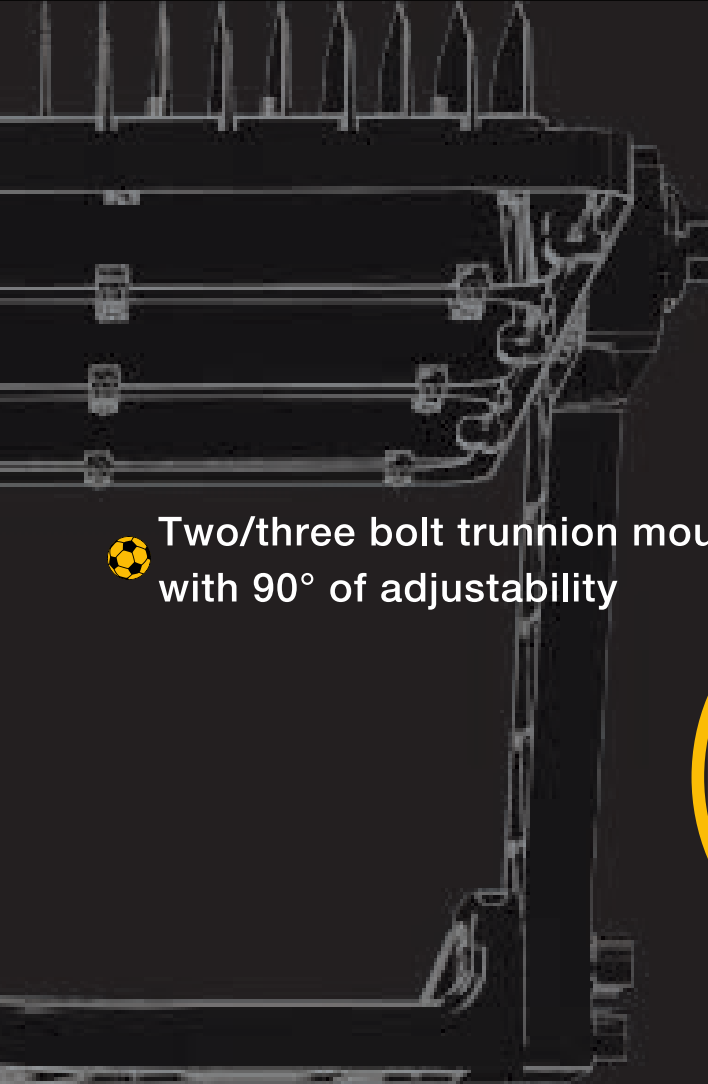


S3 - Wide
45°

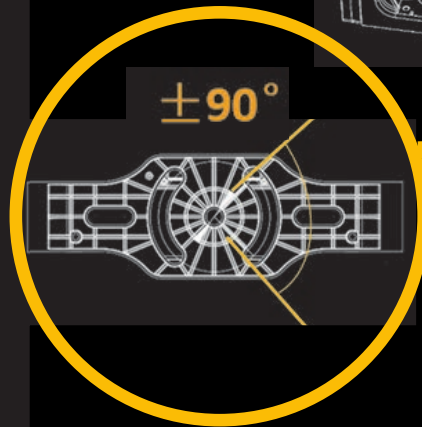
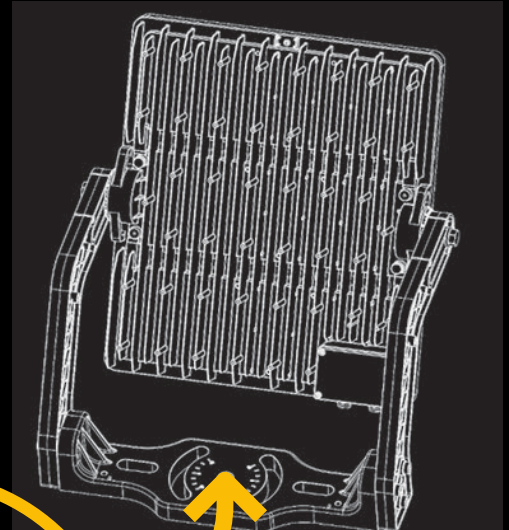


S4 – Extra Wide
60°

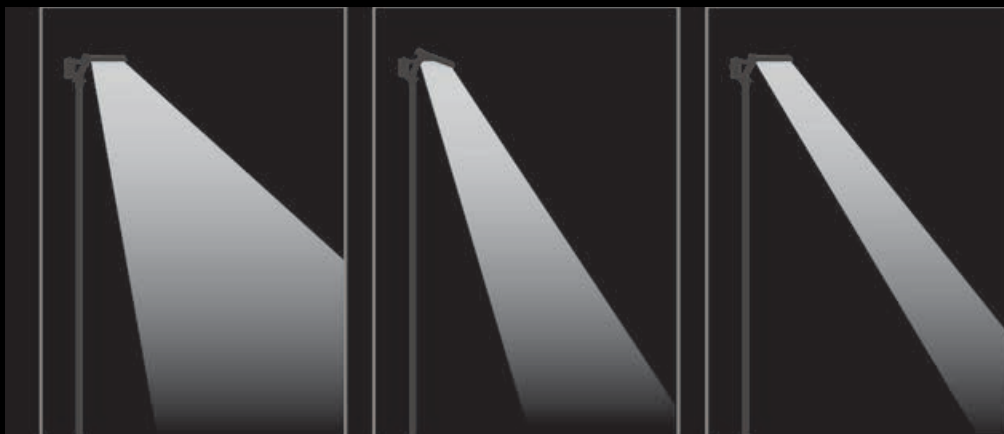
HIGHLIGHTS



Two/three bolt trunnion mount design with 90° of adjustability



Asymmetric Optics



A3 - Wide
38*100°

A2 - Medium
27*110°

A1 - Narrow
14*108°

THE PROCESS

WHAT CAN WE DO FOR YOU

Contact
a representative



Audit

A site audit will be conducted to understand your current installation and make a full recommendation to achieve the best outcome for your site.



Design

Our expert in-house lighting design team will review your current site, understand your requirements and produce a comprehensive design efficiently and on time.





Audit

Upon completion of installation and commissioning, a complete lighting audit will be completed to confirm we have delivered what our design promised.



Made to order

Upon design approval, our in-house expediting team will manage every step of manufacture, supply and delivery for your floodlights to suit your specific project requirements and timeline.



SAL Commercial Pty Ltd

📍 40 Biloela St, Villawood NSW 2163

☎ 02 8717 4320

✉ sales@salcommercial.net.au

QLD

📍 36 Whitelaw Pl, Richlands QLD 4077

☎ 07 3879 5999

✉ sales@salcommercial.net.au

VIC/SA/NT/TAS

📍 40 Biloela St, Villawood NSW 2163

☎ 02 8717 4320

✉ sales@salcommercial.net.au

WA

📍 29 Beringarra Ave, Malaga WA 6090

☎ 02 8717 4320

✉ sales@salcommercial.net.au